

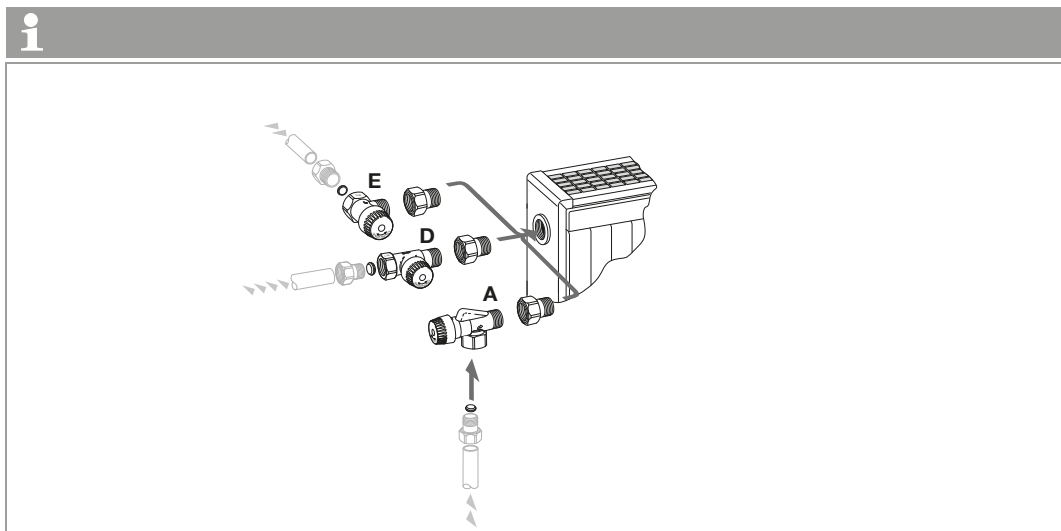
Kombi-TRV V2100PI

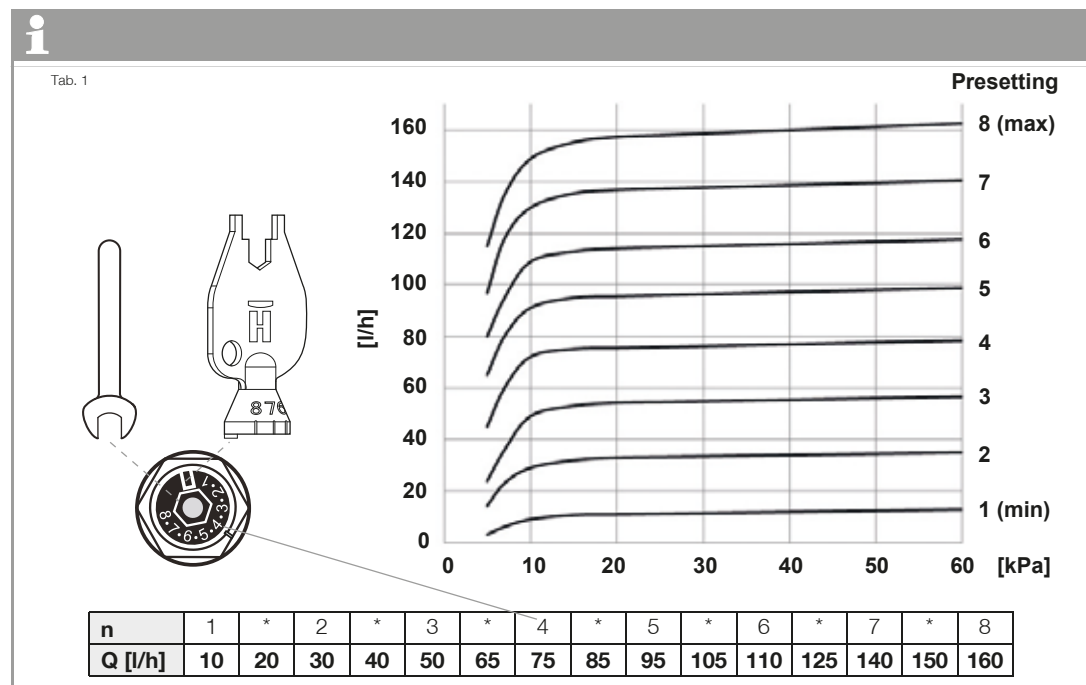
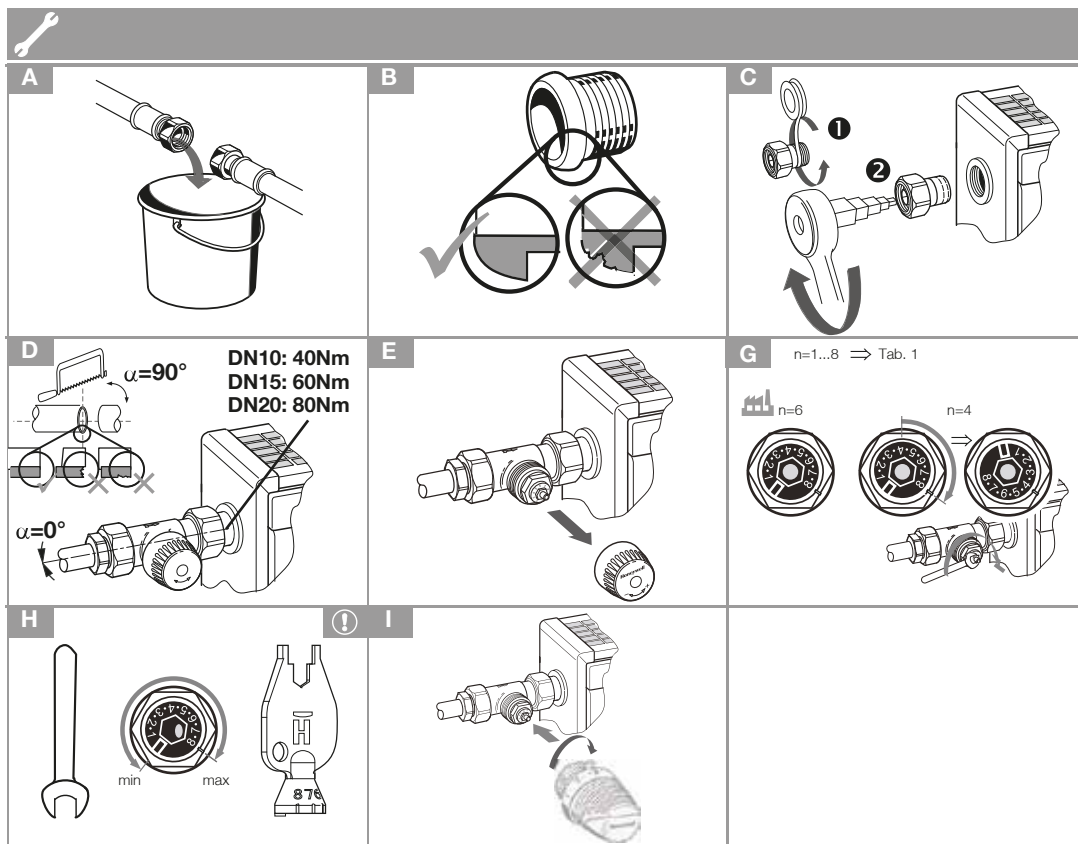


	2 - 90°C (36 - 194°F) Max. 10bar (145psi) Max. 10 - 160 l/h	$\Delta p_{max} = 0.6bar$ (8.7psi) $\Delta p_{min} = 0.1bar$ (1.45psi) M30 x 1.5

 V2100EPI... DN (DN10*, DN15*, DN20*) 	V2100DPI... DN (DN10*, DN15*, DN20*) 	V2100API... DN (DN10, DN15)
V2100LPI... DN (DN10 **, DN15) 	V2100RPI... DN (DN10 **, DN15) 	V2106LPI... (DN15) DN
V2106RPI... (DN15) DN 		

* KEYMARK (EN215) certified
 ** DN15 body with 3/8" tailpiece





For more information
homecomfort.resideo.com/europe



Ademco 1 GmbH
 Hardhofweg 40
 74821 MOSBACH
 GERMANY
 Phone: +49 6261 810
 Fax: +49 6261 81309

Manufactured for and on behalf of the
 Pittway Sàrl, La Pièce 4, 1180 Rolle, Switzerland
 by its Authorised Representative Ademco 1 GmbH
 MUOH-2103GE23 R0819
 Subject to change
 © 2019 Pittway Sàrl. All rights reserved.
 This document contains proprietary information of
 Pittway Sàrl and its affiliated companies and is
 protected by copyright and other international
 laws. Reproduction or improper use without specific
 written authorisation of Pittway Sàrl is strictly
 forbidden. The Honeywell Home trademark is used
 under license from Honeywell International Inc.



INFO PAGE
DO NOT PRINT!

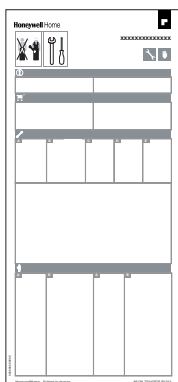
Product Range: Fluids

Instruction leaflet

Specification sheet for print shop

Title: 32341544-001
Open format: 165 x 280 mm
Templates: PDF print file
Print file volume: 2 Pages
Final format: 165 x 35 mm
Print: 1/1-colour black // black
Paper: 60 g/m² greenprint
Processing: cut; fold; pack in cartons for easy handling

PDF for Docu server



Final format:



Folding

